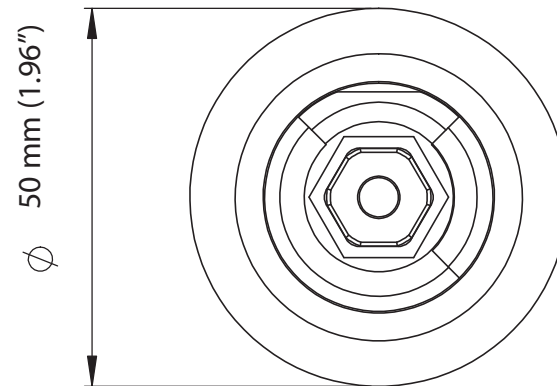
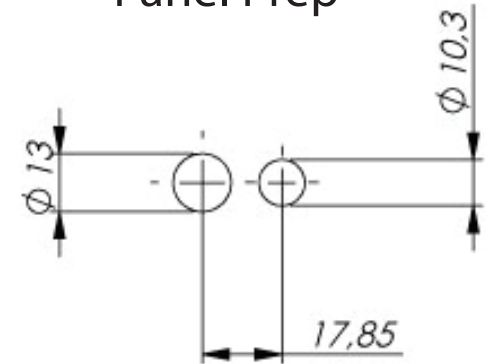


Panel Prep



www.ALLEGISCORP.com 1-866-378-7550		MATERIAL / FINISH : Stainless Steel	
REV. : 1 : 1	DATE : 10-1-2017	DESCRIPTION : Latching	DRAWING NO. : 265078-S50 SS